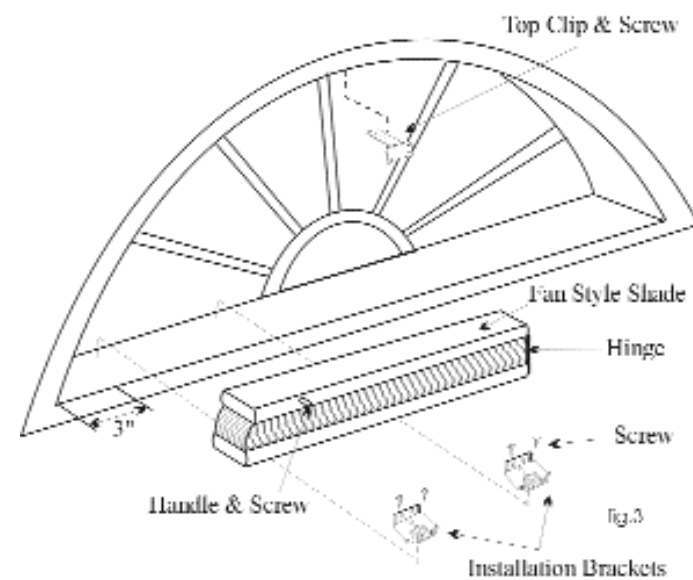


MOVEABLE FAN STYLE ARCH

Bracket Installation

- For shades stacking on the left, mount one Installation Bracket approximately 3" from the left side of the opening and the other bracket 3" to the left of the center line.
- For shades stacking on the right, mount one Installation Bracket approximately 3" from the right side of the opening and the other bracket 3" to the right of the center line.

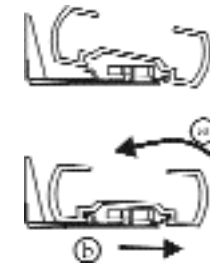


Top Clip Installation

- Mount the Top Clip at the top of the arch opening.
- Make sure that there is clearance for the moving rail to pass behind the clip.
- The length of the Top Clip can be trimmed with a pair of tin snips.

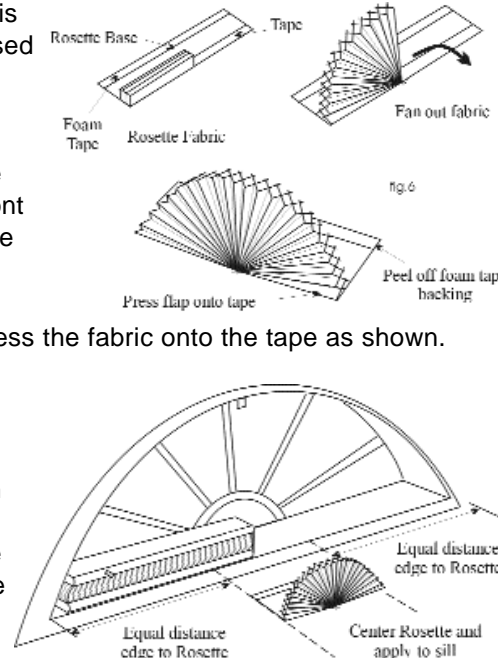
Installation of the Rail into the Brackets

- Catch the front groove of the rail with the front groove of the bracket.
- Center the rail in the window opening.
- Push the rail back and down to catch the back of the rail in the bracket (a). Then release (b).



Rosette Assembly and Installation

- The Rosette is sent in a closed stack.
- Peel off the release liner from the tape on the top front of the Rosette base.
- Fan out the fabric and press the fabric onto the tape as shown.
- Peel off the release liner from the foam tape on the back bottom of the Rosette base and attach the Rosette to the sill as shown.
- The Rosette should be centered in the window opening.



Operation

- Apply downward pressure on the handle when operating the shade to clear the Top Clip.